

Retractable Driveway Guard

Model 4700/4725/4730/4735

IMPORTANT NOTICE: Driveway Guard is NOT intended to be used as a swimming pool barrier or a gate.

1. Determine placement of Driveway Guard across your driveway.
2. **Install the two ground sleeves (12" PVC tubes on either side of driveway).**
3. Using hammer and block of wood, pound first ground sleeve into the ground a few inches from edge of driveway. Due to difference in soil types, it may be necessary to dig out hole with hand shovel first and refill dirt around ground sleeve. Do the same with the second ground sleeve on the opposite side of driveway. **Do not install Driveway Guard unit directly in ground without ground sleeves.** The ground sleeves should be installed straight up and down and flush with ground level to allow proper retraction of driveway guard. In some cases where the ground is soft, it may require that the ground sleeves lean slightly outward away from the driveway. (Fig. 2) This will allow the poles to stand up straight and the net not to sag when it is extended.
4. Insert pole on bottom of Driveway Guard unit into first ground sleeve.
5. Slowly, pull out second pole and net. Extend across driveway and insert pole into second ground sleeve.
6. To retract, lift end of net with pole out of ground sleeve, slide net down pole close to the bottom of pole, hold onto pole and walk the net slowly back to the unit. **Do not release net until it is fully retracted.** This will ensure that net is evenly aligned and less likely to fold over while being retracted into unit. Net must be held straight as unit retracts (see Fig. 1). If net becomes folded when retracting, pull net out slowly until it is straight again and retract slowly. (Net has been designed to retract slowly as a safety feature).
7. Store retracted unit with pole for next use. Leave ground sleeves in place in ground (No need to remove and re-insert!). Cover ground sleeves with black vinyl caps provided to keep out dirt and water. Ensure that ground sleeves are flush with ground level so they will not interfere with mowing grass.

Please remember:

This product has been designed only as a visual barrier.
It is not intended to be a physical barrier to hold children.
Adult supervision is always required when young children play near road!

- Slide net down towards bottom of pole before retracting.
- Net must be held straight as unit retracts.
- **DO NOT REMOVE** Plastic cap on top of driveway guard unit.
- Removal of cap voids the warranty.

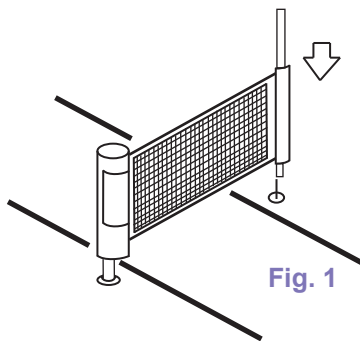


Fig. 1

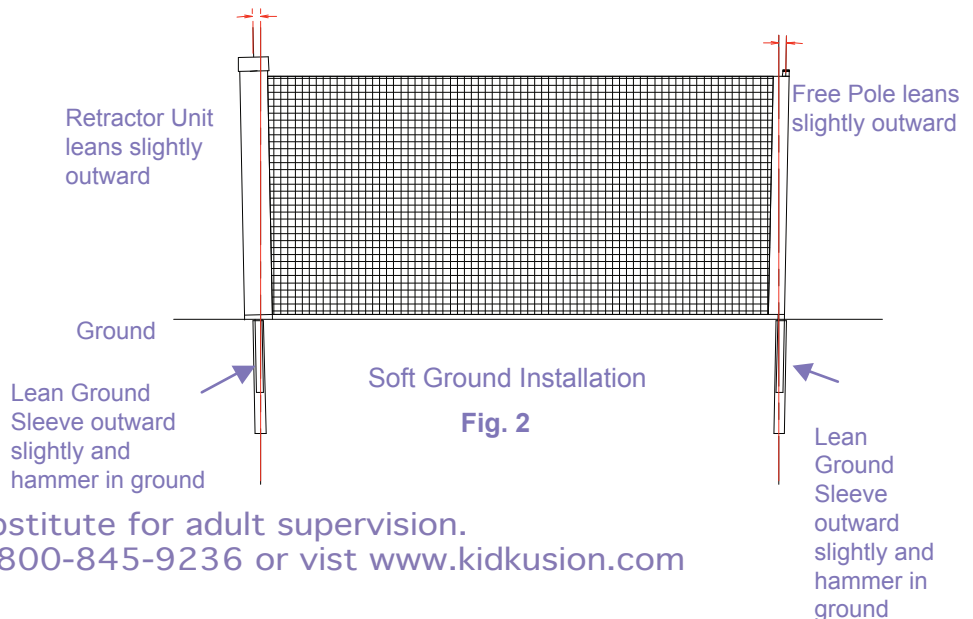


Fig. 2

This product is not a substitute for adult supervision.
Questions - Please call 1-800-845-9236 or visit www.kidkusion.com