

# The **SOFT SEAT HEARTH PAD**

( Fits up to 90" across front of Hearth)

**Model 6500/6501**

**THANK YOU:** For purchasing the Soft Seat Hearth Pad. Please read the instructions before installing the Pad.

**TOOLS NEEDED:** Measuring Tape, Pencil, Straight Edge, Razor Knife, Rubbing Alcohol, Cloth

**Step 1** Place LH & RH Corners on hearth. If Corners are too deep to fit on hearth, trim using Pad cutting instructions. **(Figure 1)**

**Step 2** With LH & RH corners pushed up tight on hearth, measure distance between them. Be sure to measure at the two locations shown. **(Figure 1)**

**Step 3** Add 1/8" to longest measurement and place a pencil mark on Center Connector at the two Locations as shown. **(Figure 2)**

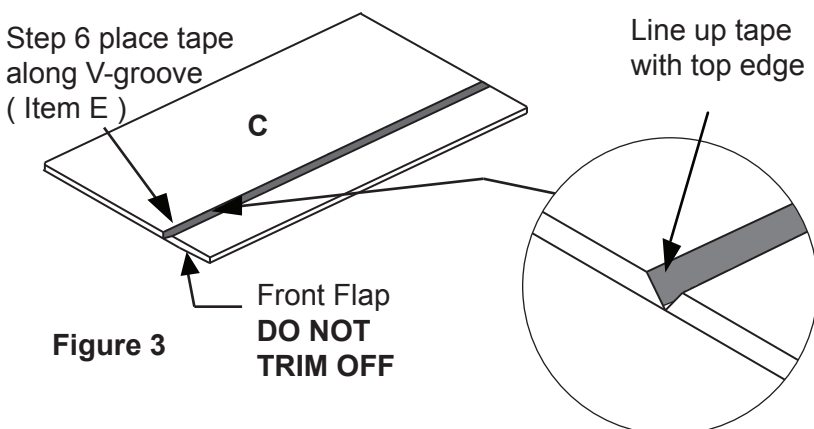
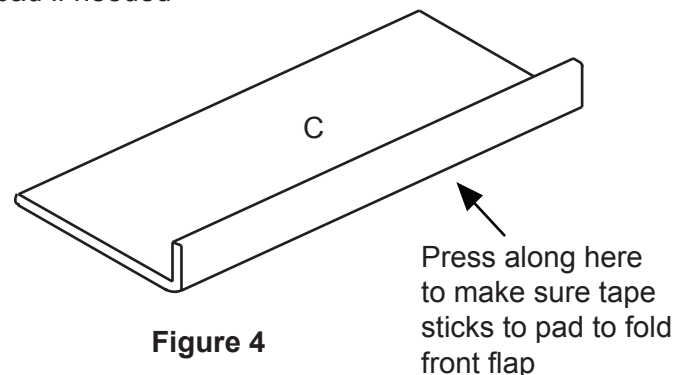
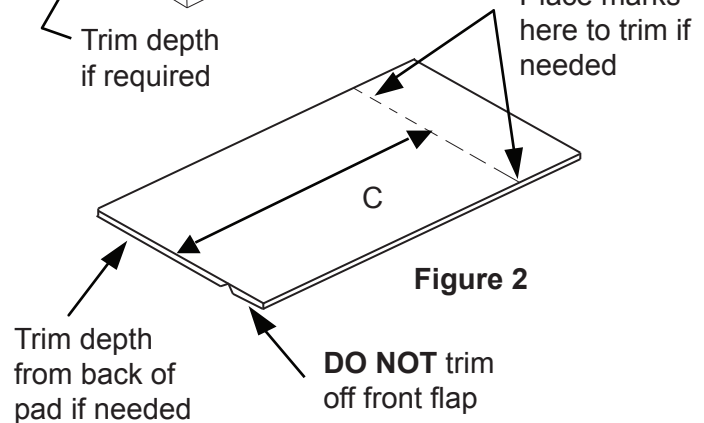
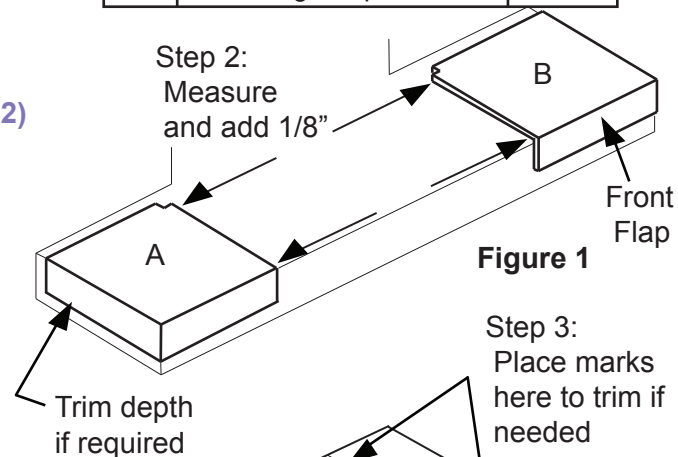
**Step 4** Cut Center Connector to length using the Pad cutting instructions. If Corners were trimmed, then remove same amount of material from the Center Connector. Be sure to trim the depth from of Connector from section that rests on top of hearth. **(Figure 2)**  
**DO NOT TRIM OFF FRONT FLAP**

**Step 5** After cutting Center Connector, place it on hearth with the two Corners and make sure it fits correctly.

**Step 6** With Center Connector cut to correct length, turn it over so the v-groove is facing up. Clean v-groove with rubbing alcohol and allow a few minutes to dry. Place the 1/2" wide tape along the v-groove as shown. Make sure tape is placed along top edge of v-groove. **(Figure 3)**

**Step 7** Peel away tape liner from tape and fold up short side of Center Connector. Be sure to press along outside of pad along the v-groove several times to make sure tape sticks to Pad. **(Figure 4)**

Materials Included		
	Description	QTY
A	Left Hand	1
B	Right Hand	1
C	Center	1
D	Attachment Tape-2in	1
E	Foam Angle Tape- 1/2" in	1



**Figure 3**

**Figure 2**

**Figure 1**

**Figure 4**

**Step 8.** With Center Connector folded up as shown in figure 4, place on hearth with Corners to make sure it fits correctly.

**Step 9.** Place Corners and Center Connector on flat surface upside down. Wipe down bottom side of pad with rubbing alcohol and allow to dry. Align Corners with Center Connector and push them up tight to Center Connector. Join Corners to Center Connector with 2" wide tape. **(Figure 5)**

**Step 10.** Place pad on hearth.

### OPTIONAL Tape Attachment To Hearth

**Step 1.** Place the 2" wide tape strips on Corners as shown on bottom of Pad. **(Figure 5)**

**Step 2.** Place a 48" or shorter tape strip on Center Connector in between the joint tape strips. Peel away paper liner on tape strips covering only the joints. **(Figure 5)**

**Step 3.** Wipe down top of hearth with rubbing alcohol and allow to dry. Place one 12" long tape strip of 2" wide tape on each corner of hearth. Place a 48" long or shorter tape strip on hearth in between Corner tape strips. Peel away paper liner on tape strips on hearth. **(Figure 6)**

**Step 4.** To install Pad, place it on hearth making sure front inside edge of Pad is pressed firmly against front edge of hearth as you lower it down onto hearth. **(Figure 7)**

**Step 5.** With front of Pad attached to hearth, peel away liner from tape along back edge of Pad and press firmly to attach the Pad to hearth. **(Figure 7)**

**Allow 8 to 10 hours for adhesive to bond.**

### Pad Cutting Instructions

- 1) Place Pad on top of shipping box or some other flat surface so that when you cut through Pad, the knife will not damage your floor or hearth below.
- 2) Lay straight edge on top of Pad and line it up with your cutting marks.
- 3) Using a sharp razor knife, hold it next to straight edge and cut through Pad using light to medium pressure. For best looking cut, make multiple passes along straight edge until you have cut through Pad. DO NOT try to cut through the Pad in one or two passes.

Step 9: Join corners to center connector with 2" wide tape ( Item D )

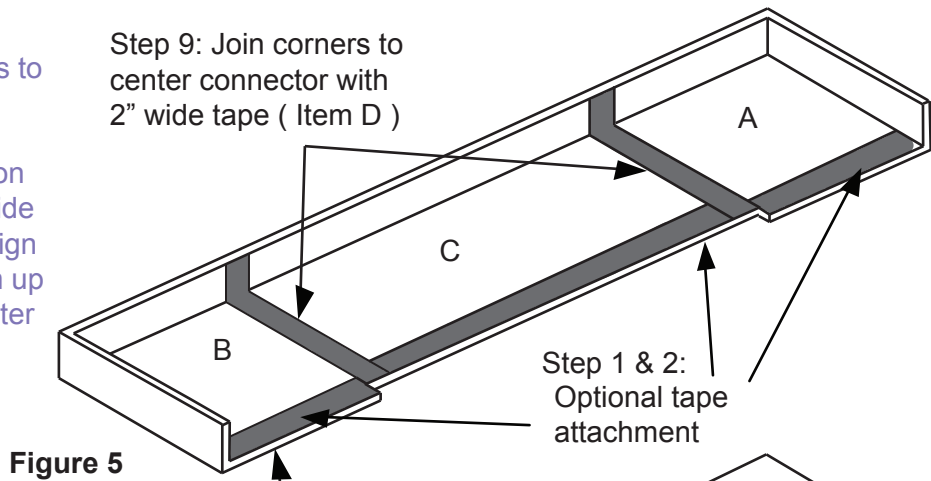


Figure 5

Clean pad with rubbing alcohol prior to applying tape

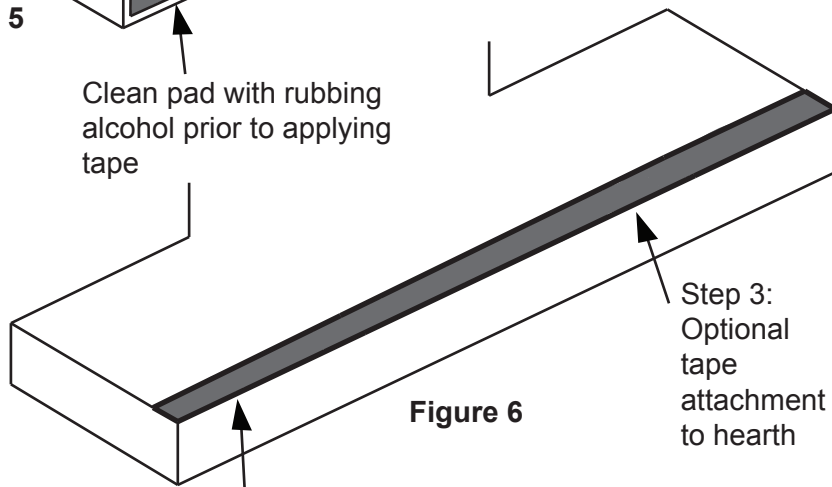


Figure 6

Clean hearth edge with rubbing alcohol before applying tape

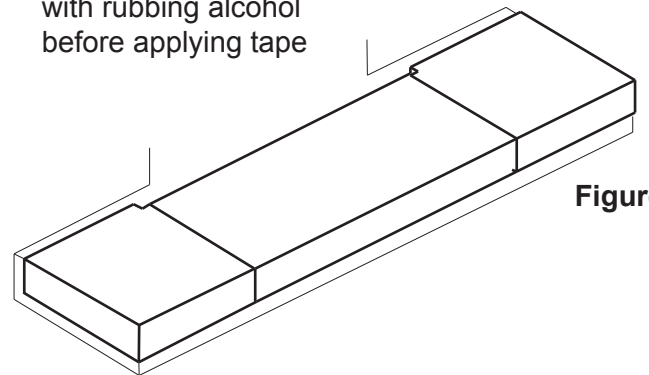


Figure 7

**Note:** The Fireplace Bumper Pad is made from a durable, non-toxic, flame retardant foam rubber. Clean with soap and water.

This product is not a substitute for adult supervision.  
Questions - Please call 1-800-845-9236 or visit [www.kidkusion.com](http://www.kidkusion.com)