

# HEARTH KUSHION

MODEL 6010/6020/6030

**THANK YOU:** For purchasing the Hearth Kushion. Please save this instruction sheet for reference as to the correct installation, usage, and limitations of this product, and for additional service information.

**Important:**

- Follow directions when installing the bumper pad.
- Do not stand on bumper pad.

**Helpful Hint:** Use a sharp razor knife to trim pad to length. Place the bumper pad on shipping carton to make the cuts. Lay a straight edge on the pad and make multiple light passes across the pad for an even cut.

**TOOLS NEEDED:** Measuring Tape, Pencil, Straight Edge, Razor Knife

**Step 1** Place the LH leg on hearth. Trim side length as required to allow the leg to fit snugly on the corner of the hearth. Repeat this step for the RH leg. **(Figure 1)**

**Step 2** With the LH and RH legs pushed tight on the corners, place the filler piece between the legs. **(Figure 2)**

**Step 3** Mark the filler piece at the length needed to fill the gap between the legs.

**Step 4** Using the razor knife, cut the filler piece to correct length. Be sure to measure twice and cut once.

**Turn over to back page to complete the installation.**

MATERIALS INCLUDED		
ITEM	Description	QTY
1	Left Hand Leg	1
2	Right Hand Leg	1
3	Filler piece	1
4	Hook & Loop Installation Kit	1

**Note:** The Fireplace Bumper Pad is made from flame retardant foam rubber. Clean with soap and water.

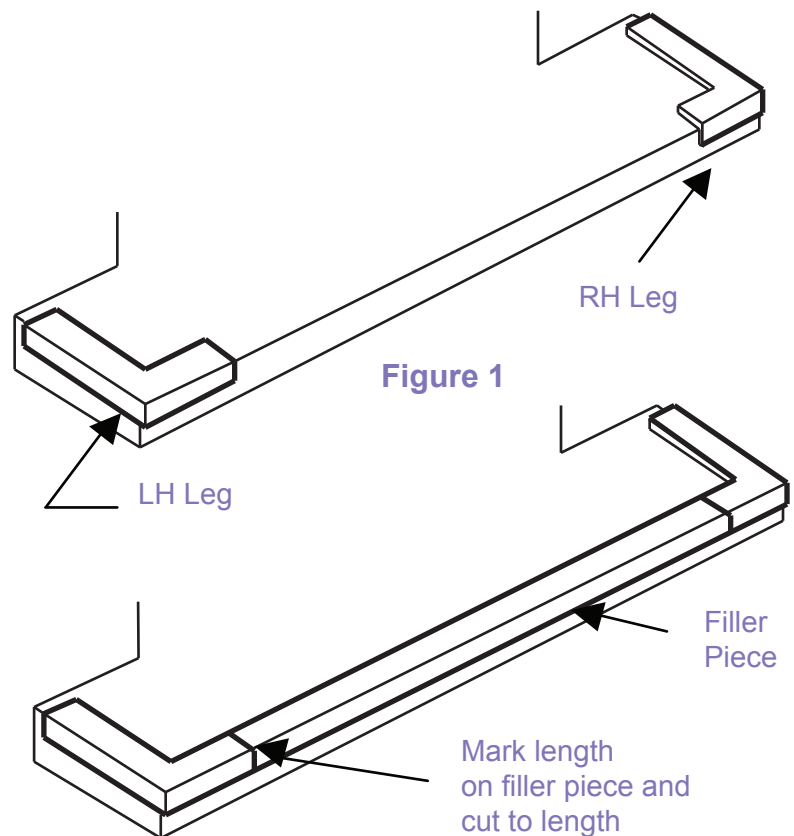


Figure 2

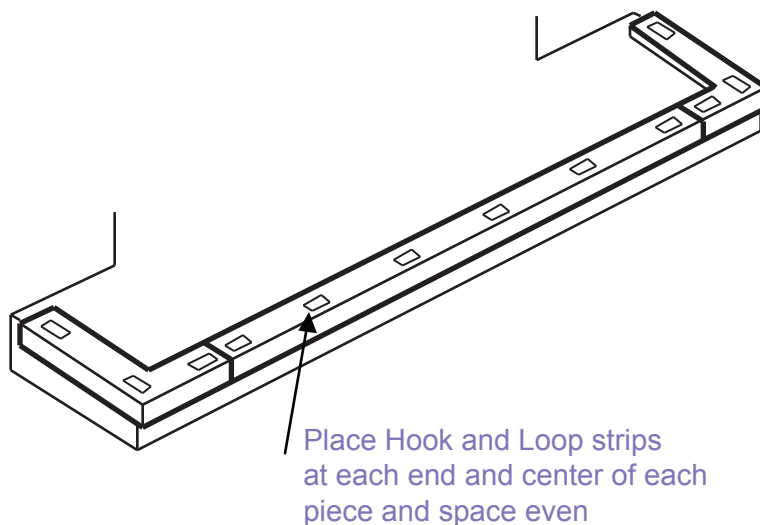
# HOOK AND LOOP ADHESIVE STRIP INSTALLATION INSTRUCTIONS

## IMPORTANT

- Follow directions fully when installing the Hook and Loop Adhesive Strips for an effective bond to the hearth.
- The Hook and Loop Adhesive Strips will not adhere to hearths with deteriorating bricks or mortar.
- For the most effective bond of the fasteners, allow to cure undisturbed for 2 days after installation.

**MATERIALS NEEDED:** Brush, cleaning cloth, rubbing alcohol, optional: vacuum cleaner.

- Step 1** Complete all steps for installation of the bumper pad prior to attaching the Hook and Loop Adhesive Strips.
- Step 2** Using the brush, remove any loose brick or mortar particles from the hearth at the locations of the Hook and Loop Adhesive Strips. The use of a vacuum cleaner will help to ensure that all particles have been removed.
- Step 3** Clean each location of the attachment strips on the hearth and the underside of the Hearth Kushion pad with rubbing alcohol and allow to evaporate.
- Step 4** Remove the backing strips for the Hook and Loop Adhesive Strips and attach them to the Hearth pad at the locations shown. Press on each one firmly to ensure an effective bond.
- Step 5** Remove the backing strips from the Hook and Loop Adhesive Strips attached to the pad. Position pad on the hearth and press down firmly over all the attachments to ensure an effective bond. Allow several hours for the adhesive to set before pulling on pad.



This product is not a substitute for adult supervision.  
Questions - Please call 1-800-845-9236 or visit [www.kidkusion.com](http://www.kidkusion.com)